



CHIMNEY

BUILT IN HOB

BUILT IN OVEN

BUILT IN MICROWAVE

BUILT IN BAR-B-QUE

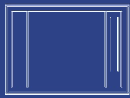
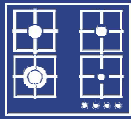
BUILT IN DEEP FRYER

BUILT IN COFFEE MAKER

BUILT IN DISH WASHER

BUILT IN WARMING DRAWER

BESTTM
Built-in Appliances



BESTTM
Built-in Appliances

STYLISHLY DESIGNED KITCHEN WITH FUTURISTIC TECHNOLOGIES THAT INSPIRE EXCELLENCE IN COOKING.

In sync with the Indian side of cooking and all its unique requirements, BEST is a brand that stands for excellence, vision and trust in the Kitchen & Appliances Industry. Its New-age appliances are a thoughtful combination of superior quality, stunning aesthetics, high performance and exceptional durability.

The products' beautifully designed features strike an intricate balance between finesse and functionality; to make available products that take the cooking experience to a new level.



▼
MIST / BF

- Width: 60 cm
- Suction Capacity: 750 (m³/hr)
- Control: Push Button
- Finish: SS
- R/D
- Filter: Aluminum / Baffle Filter





SMARTY

- Width: 60 cm
- Suction Capacity: 750 (m³/hr)
- Control: Push Button
- Finish: SS
- R/D
- Filter: Aluminum



STYLE

- Width: 60 cm
- Suction Capacity: 1000 (m³/hr)
- Control: Push Button
- Finish: SS
- R/D
- Filter: Aluminum
- Front: Black Acrylic



SPICEY

- Width: 60 cm
- Suction Capacity: 850 (m³/hr)
- Control: Push Button
- Finish: SS with Curved Glass
- LED Lamps
- R/D
- Filter: Aluminum



ORION

- Width: 60 cm & 90 cm
- Suction Capacity: 1000 (m³/hr)
- Control: Push Button
- Finish: SS with Oil Collector
- LED Lamps
- Blower: Metallic
- Ducting Only



SILKY

- Width: 60 cm
- Suction Capacity: 1000 (m³/hr)
- Control: Touch control
- Finish: SS with Curved Glass
- LED Lamps
- Blower: Metallic
- R/D
- Filter: Baffle Filter



ATLANTIS

- Width: 90 cm
- Suction Capacity: 1100 (m³/hr)
- Control: Touch Control
- Finish: Glass
- LED Lamps
- Heat Auto Clean
- Filter less Technology
- Blower: Metallic
- Ducting Only





ZENIT BLACK

- Width: 90 cm
- Suction Capacity: 1100 (m³/hr)
- Control: Touch control
- Finish: SS with Black Glass
- Automatic Door Open & Close
- Long SS Oil Collector
- Zero Maintenance
- LED Lamps
- Blower: Metallic
- Flat Slim Chimney
- Ducting Only



APPOLO

- Width: 90 cm
- Suction Capacity: 1350 (m³/hr)
- Control: Touch control with Motion Sensor
- Finish: SS
- Long SS Oil Collector
- LED Lamps
- Blower: Metallic
- Ducting Only



MILENA

- Width: 90 cm
- Suction Capacity: 1200 (m³/hr)
- Control: Touch control
- Finish: SS with Curved Glass
- LED Lamps
- Blower: Metallic
- R/D
- Filter: 3 Baffle Filters



BELA

- Width: 90 cm
- Suction Capacity: 1200 (m³/hr)
- Control: Transparent Touch Control with Remote Control
- Finish: SS with Tempered White Glass
- 2 x 1.5w LED Lamps
- R/D
- Filter: SS Perforated Filter
- Lower Noise Motor.

INTRODUCING STEAM

AUTO CLEAN TECHNOLOGY

Nothing clears oil
like a speeding steam.
Nothing cleans your
chimney like
Jet Steam Technology



PROPELLO

- Width: 90 cm
- Suction Capacity: 1200 (m³/hr)
- Control: Touch
- Finish: SS with Glass Panel
- Steam Auto Clean
- Zero Maintenance
- Long SS Oil Collector
- Blower: Metallic
- Ducting Only

MIR 60/90

- Width: 60 cm & 90 cm
- Suction Capacity: 1180 (m³/hr)
- Control: Push Button
- Finish: SS with Curved Glass
- LED Lamps
- R/D
- Filter: Baffle Filter



MERCURY

- Width: 60 cm
- Suction Capacity: 1300 (m³/hr)
- Control: Touch Control
- Finish: SS with Curved Glass
- Blower: Metallic
- Ducting Only
- Filter: Baffle Filter / Heat Auto Clear





ROCK

- Width: 60 cm
- Suction Capacity: 1100 (m³/hr)
- Control: Touch
- Finish: Black Glass Panel
- LED Lights
- Blower: Metallic
- Filter: Aluminum
- R/D

ROSSI

- Width: 90 cm
- Suction Capacity: 1100 (m³/hr)
 - Control: Touch control
- Finish: SS with Smoked Glass
 - Filter: SS Perforated Filter
 - LED Lamps
- Blower: Metallic
 - R/D



ROSETTA

- Width: 60 cm
- Suction Capacity: 1100 (m³/hr)
- Control: Touch Control
- Finish: SS with White Tempered Glass
- LED Lamps
- Filter: Aluminium
- R/D

ARGON

- Width: 90 cm
- Suction Capacity: 1300 (m³/hr)
 - Control: Touch
- Finish: SS with Glass Panel
- SS Panel with Aluminium Filter
 - PDCA Motor
 - Ducting Only



VESTA

- Width: 60 cm & 75 cm
- Suction Capacity: 1000 (m³/hr)
- Control: Touch control
- Finish: Black Mat with Grey Tempered Glass
- Black coated Aluminium Filter
- Blower: Metallic
- LED Lamps
- R/D

ORLETS

- Width: 90 cm
- Suction Capacity: 1200 (m³/hr)
 - Control: Touch Control
- Finish: SS with White Tempered Glass
 - SS Perforated Filter
 - Blower: Metallic
 - R/D



ISLAND CHIMNEY



CAPRI

- Width: 60 cm

- Suction Capacity: 1300 (m³/hr)

- Control: Touch control

- Finish: SS with White Tempered Glass

- SS Perforated Filter

- PDCA Motor

- LED Lamps

CANARY

- Width: 90 cm

- Suction Capacity: 1300 (m³/hr)

- Control: Touch control

- Finish: SS with Black Glass Panel

- Finish: SS Panel with Aluminium Filter

- PDCA Motor

- 6 LED Lights



ISLAND CHIMNEY



TITAN

- Size: 60 cm
- Auto Ignition Type: Battery
- Pan Support: Enamelled
- Burner: 4 Burners (3 +1 Triple Ring)
 - Finish: SS
- Metal Knob
- Product Size: 590x510
- Cutting Size: 560x480

SCOUT

- Size: 60 cm
- Auto Ignition Type: Battery
- Pan Support: Enamelled
 - Burner: 4 Burners (2 + One Big & One Mini Triple Ring Burner)
- Finish: 8 mm Tempered Glass
- Metal Knob
- Product Size: 600x520
- Cutting Size: 560x480



GIATTO

- Size: 75 cm
- Auto Ignition Type: Battery
- Pan Support: Enamelled
 - Burner: 3 Burners (1 + One Big & One Mini Triple Ring Burner)
- Finish: 8 mm Bevel Tempered Glass
- Product Size: 750x450
- Cutting Size: 695x385

ROYAL



COOKTOPS

- 8 mm Toughened Glass
- Forging Brass Burners
- Spark Auto Ignition
- Joint less Body
- Metal Knob

BRISTOL



A-Series Brass Burner with Golden ring and FFD specially designed for Indian Cooking

INTRODUCING EPS TECHNOLOGY

EPS

EFFICIENT POWERFUL SAFE



Dual Burner Technology Enhances The Coking Experience And Ensures Uniform Flame Around The Burner. thus, Makes it **EFFICIENT**



5.5 Kv Triple Ring Burner is Excellently Crafted To Make It **POWERFUL** Like No Other



Unique Flame Failure Device is designed to ensure **SAFETY**

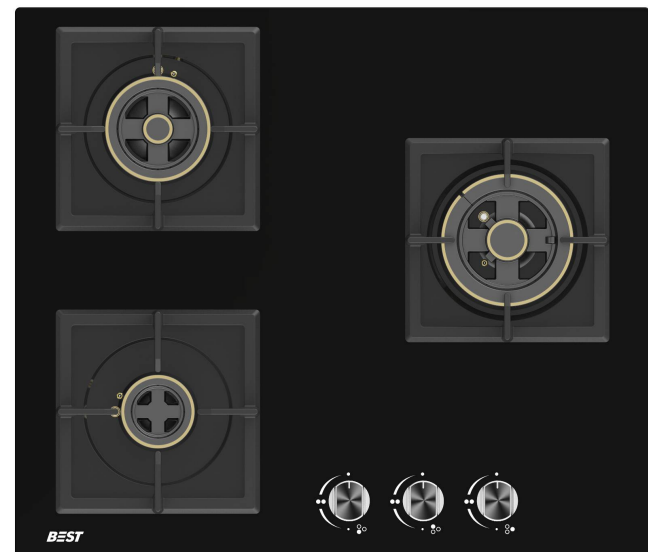


ARIANE-DX

- Size: 60 cm
- Auto Ignition Type: Battery with FFD (flame Failure Device)
- Pan Support: Cast Iron
- Burner: 4 Burners (1 Triple Ring, 1 Mini Triple, 1 Dual Burner, 1 Small Burner)
- Finish: 8 mm Tempered Glass
- Teflon Dripper
- Brass (600°C high temperature mat coating)
- Product Size: 595x525
- Cutting Size: 555x475

AVRO-DX

- Size: 60 cm
- Auto Ignition Type: Battery with FFD (flame Failure Device)
- Pan Support: Cast Iron
- Burner: 3 Burners (1 Triple Ring, 1 Mini Triple, 1 Dual Burner)
- Finish: 8 mm Tempered Glass
- Teflon Dripper
- Brass (600°C high temperature mat coating)
- Product Size: 595x525
- Cutting Size: 555x475



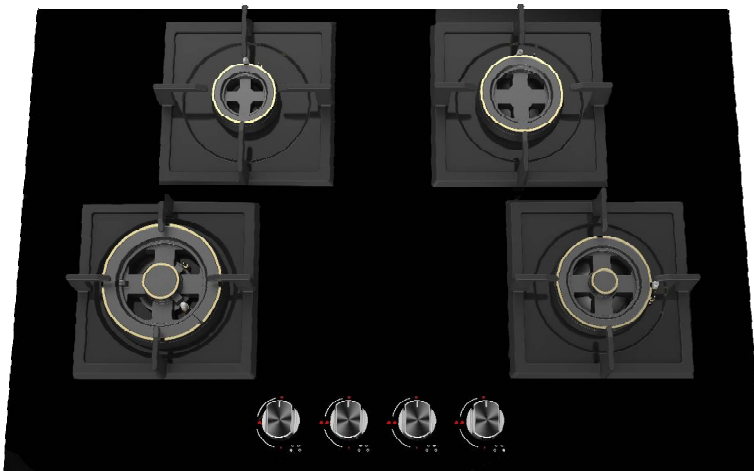
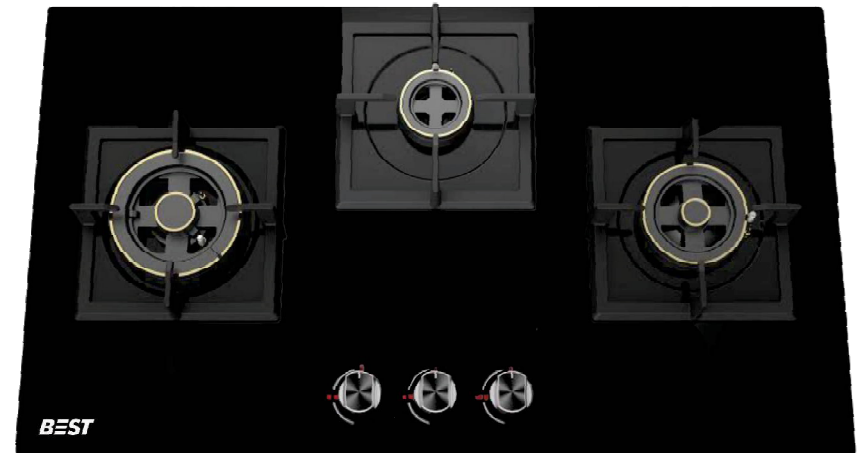
A-Series Brass Burner with Golden ring and FFD specially designed for Indian Cooking

BESTTM
Built-in Appliances

AMOS-DX

- Size: 78 cm

- Auto Ignition Type: Battery with FFD (flame Failure Device)
- Pan Support: Cast Iron
- Burner: 3 Burners
(1 Triple Ring, 1 Mini Triple, 1 Dual Burner)
- Finish: 8 mm Tempered Glass • Teflon Dripper
- Brass (600°C high temperature mat coating)
- Product Size: 780x450 • Cutting Size: 685x405



ANTARES-DX

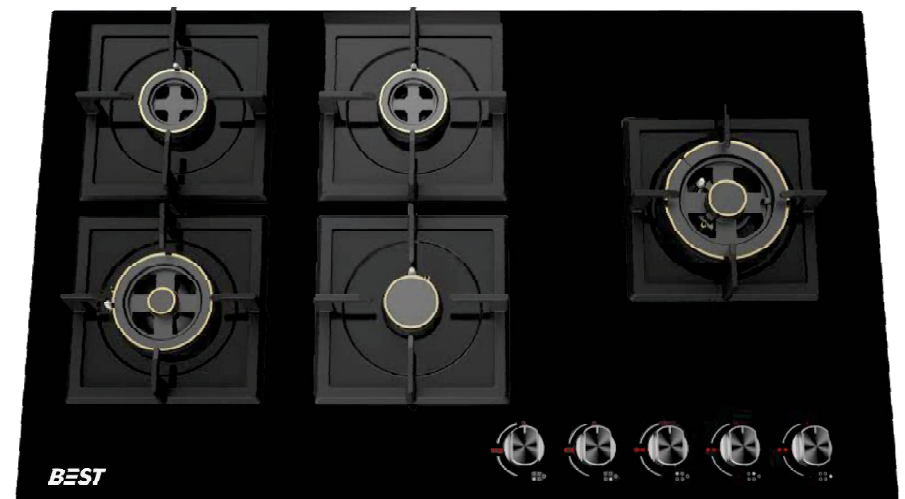
- Size: 78 cm

- Auto Ignition Type: Battery with FFD (flame Failure Device)
- Pan Support: Cast Iron
- Burner: 4 Burners
(1 Triple Ring, 1 Mini Triple, 1 Dual Burner, 1 Small Burner)
- Finish: 8 mm Tempered Glass • Teflon Dripper
- Brass (600°C high temperature mat coating)
- Product Size: 780x520 • Cutting Size: 685x475

ATHENE-DX

- Size: 87 cm

- Auto Ignition Type: Battery with FFD (flame Failure Device)
- Pan Support: Cast Iron
- Burner: 5 Burners
(1 Triple Ring, 1 Mini Triple, 2 Dual Burner, 1 Small Burner)
- Finish: 8 mm Tempered Glass • Teflon Dripper
- Brass (600°C high temperature mat coating)
- Product Size: 865x520 • Cutting Size: 825x475





This cooking mode allows use of the rotisserie with grill heater. Balance the heat from grill heater to the cooking through the fan, and the rotation of the rotisserie makes food cooked more complete and delicious.



Upper and lower heaters on Setting the knob to this position allows the oven to be heated convectionally.



Rear heater with fan On This cooking mode allows homogenous distribution of the heat inside the oven, making it possible to cook several items of food at the same time.



Balance the heat from lower and rear heaters inside the oven by fan. This function is great for cooking Pizza, cake and cookies.



Grill heater with fan on When the knob is turned to this position , the oven activates the combined grill heater and fan function. In practice, this function allows the grilling process to be speeded up and an improvement in the taste of the dish . You should only use the grill heater with the oven door shut.



Grill heater on This function allows a higher temperature at the top of the cooking area, which causes more intense browning of the dish and permits larger portions to be grilled.



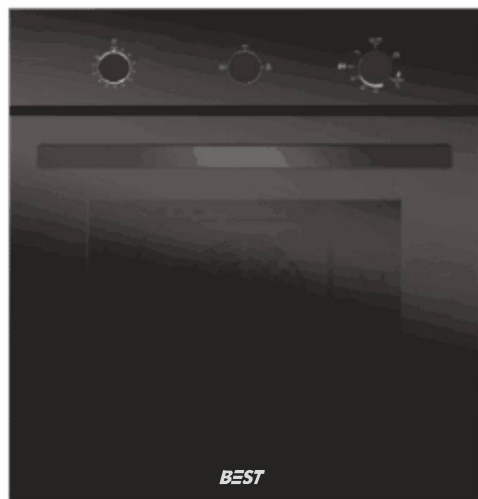
Fan , lower and upper heaters on At this knob position the oven executes the cake function. Convectional oven with a fan.



Fan, grill, rear and lower heaters on When the knob is turned to this position , the oven activates the fan, grill, rear and lower heaters funtion. Grill, rear and lower heaters spread heat with fan around the food, keeping the meat golden and tasty in each side. You should only use the grill heater with the oven door shut.



Fan on (Defrost) The function is to unfreeze food that has been frozen or very cold until it reaches a normal temperature.



BUILT-IN ELECTRICAL OVEN - EVAN

- 9 Functions with Mechanical Control
 - Push Open Knob
 - Energy Efficiency Class A
 - Oven Capacity 65 liters.
 - Thermostatically Controlled Grill
- Triple Glass Removal Door with Timer
 - Rotisserie Function
- Dimension: WxDxH: 595x572x595



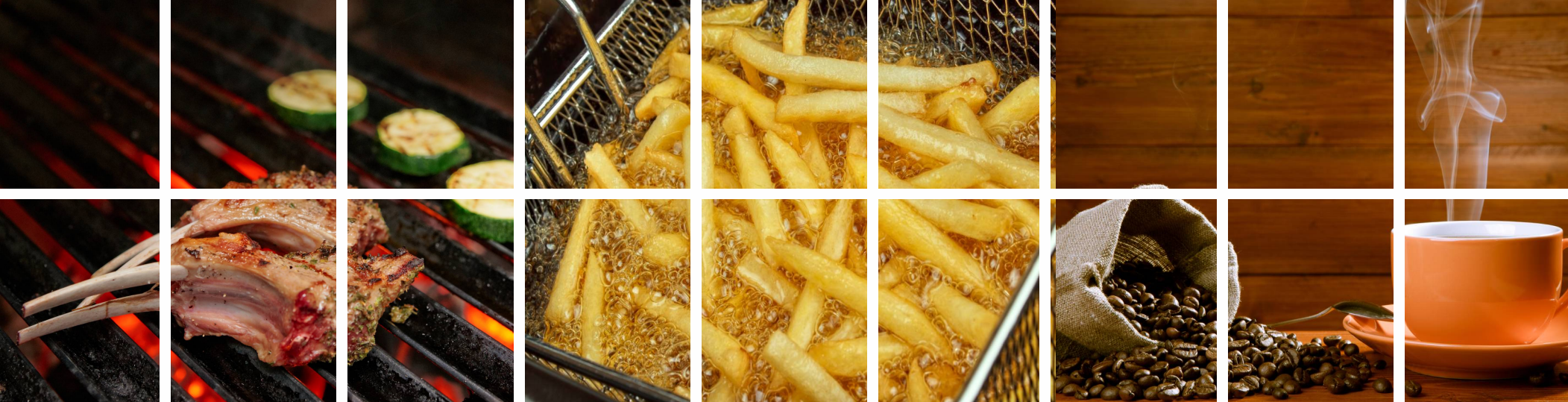
BUILT-IN ELECTRICAL OVEN - DOMINO

- 9 Functions with Digital Display
 - Push Open Knob
 - Glass Panel and SS Frame
- Energy Efficiency Class A • Oven Capacity 65 liters.
 - Thermostatically Controlled Grill
- Triple Glass Removal Door with Timer
 - Rotisserie Function
- Dimension: WxDxH: 595x572x595



BUILT-IN MICROWAVE WITH GRILL - SHE BEE

- Built in Microwave with Grill and Convection
- Electronic Clock • Auto Menu • Child Safety Lock
- Permatron and Delay Protection • S. S Cavity
 - Push Open Door with Sensor Touch Panel
 - Quick Start, Combination Cooking
 - Defrost by Weight & Time
- 10 Auto Cooking Menus, Multistage Cooking
 - Capacity: 25 Liters
- Microwave Power 900W, Grill Power 1100W, Convection Power 2500W
 - Dimension: WxDxH: 595x459x388



BUILT-IN BARBEQUE GRILL - ZETA

- 30 cm wide
- Front Mechanical Control
- Glass Panel & SS Inner Control
- Energy Regulator control
 - Lava Stone
- Input Power: 2.3 kw
- Product Size: 290x510x60
- Cutting Size: 270x490x60



BUILT-IN DEEP FRYER - VELA

- 30 cm wide
- Front Mechanical Control
- Glass Panel
- Removable SS Inner Bowl and Basket
 - Capacity: 30 liters
- Product Size: 290x510x163
- Cutting Size: 270x490x163



BUILT-IN COFFEE MAKER - DENVER

- 6 Level Coffee Grinder
- Coffee Strength: Normal/Mild/Strong
- Coffee Dispenser 70mm - 110mm
- Coffee Bean Container - 170 gm.
- Coffee Temperature: 75° - 85°
- Steam Function for Cappuccino
 - 45 cm Compact



BUILT-IN WARMING DRAWER - MILANI

- Glass Panel • Push Open
- Fan Heating
- Temperature Adjustment 30 - 70°C
- 90 minute cut off timer with Audible Signal
- ON/OFF Light
- Loading Capacity: 25 kg. (max)
- Dimension: WxDxH: 595x525x140



BUILT-IN DISH WASHER - BLUE WAVE

- Fully Integrated Dish Washer
 - 6 Program Setting
 - 12 Place Setting
 - Display Indicator
 - Energy Efficiency Class A+
 - Water Overflow Protection
- Electronic Controller with LED Indicator
 - Anti Leak
 - Water Softness Adjustment
 - Concealed Heating Element
 - Product Size: 595x540x820

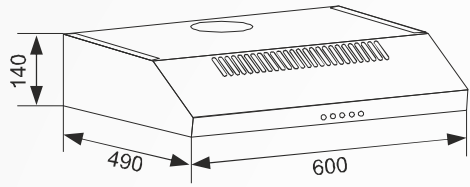


▼
**BUILT-IN
REFRIGERATOR - TITLIS**

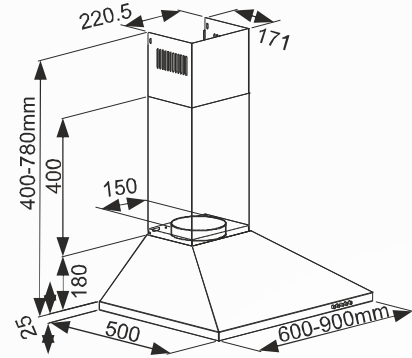
- 250 Liters Capacity
- Net Fridge Capacity 185 Liters
- Net Freezer Capacity 65 Liters
- A+ Energy System
- Four Star Freezer Design
- Reversible Door
- Dimension: WxDxH - 540x545x1770

Technical Dimension

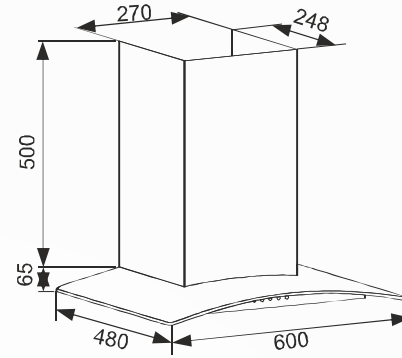
► MIST



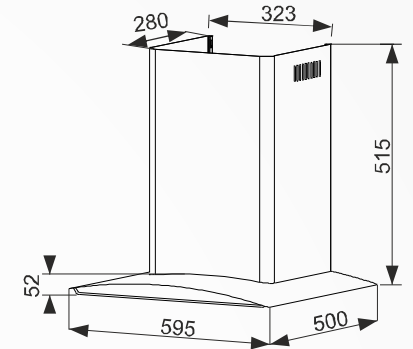
► SMARTY



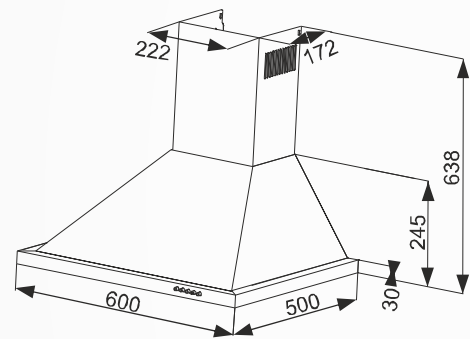
► SPICEY



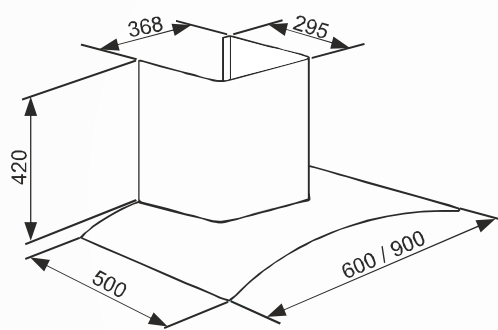
► SILKY



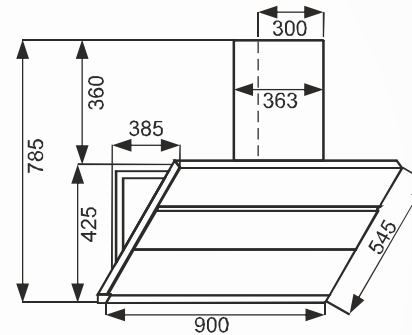
► STYLE



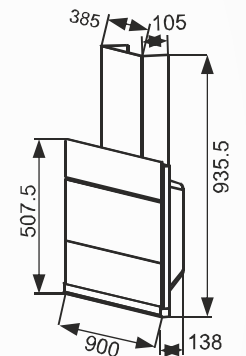
► ORION



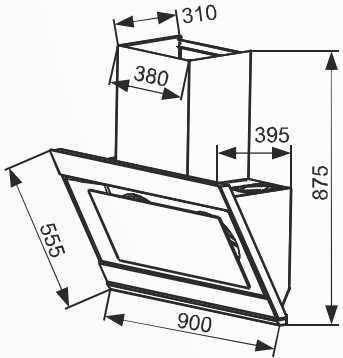
► ATLANTIS



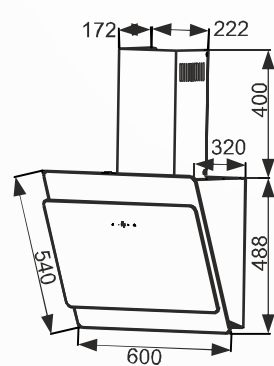
► ZENIT



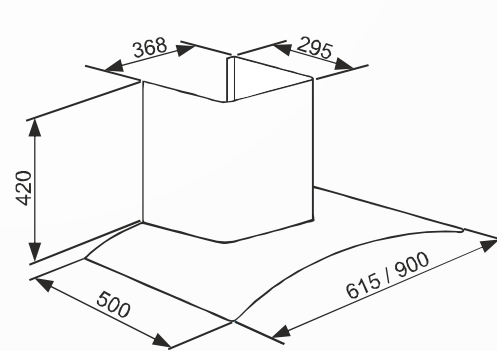
► PROPELLO



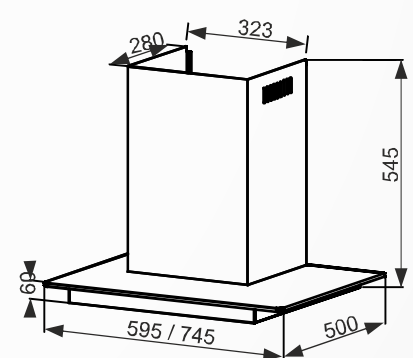
► ROCK



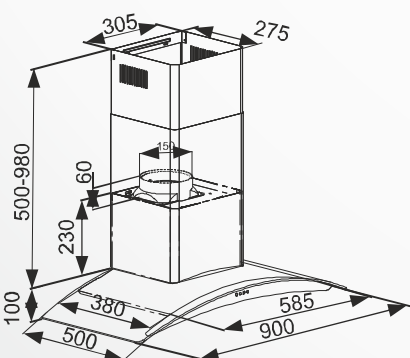
► MERCURY



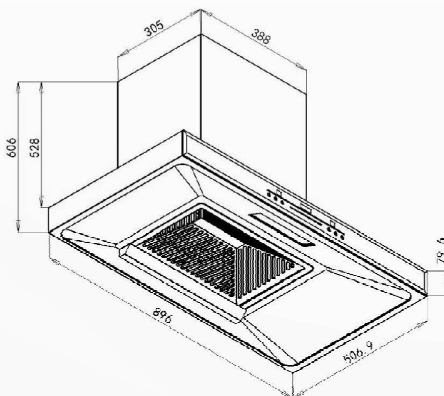
► VESTA



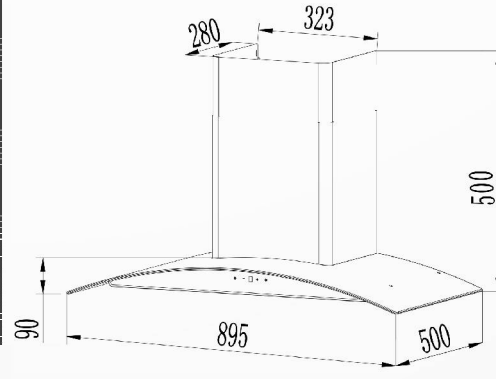
► ROSSI



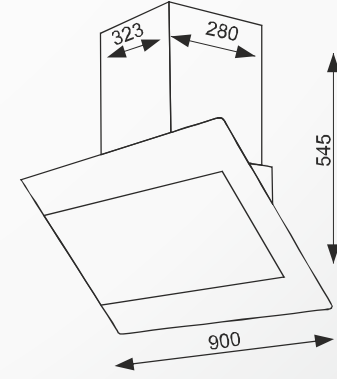
► APPOLO



► MILENA

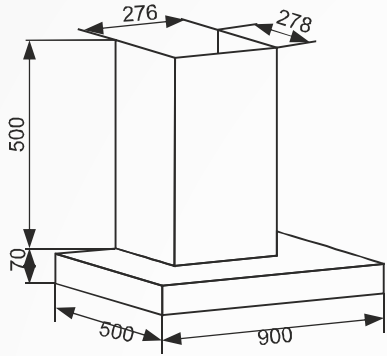


► BELA

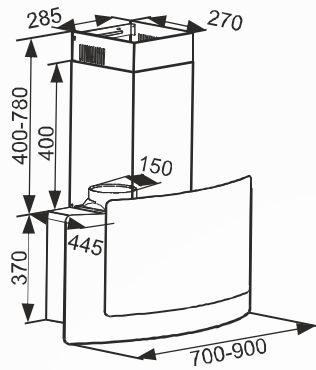


Technical Dimension

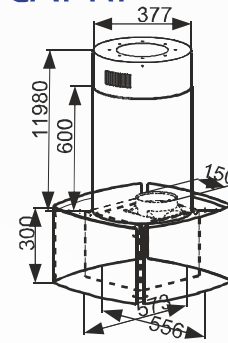
▶ ARGON



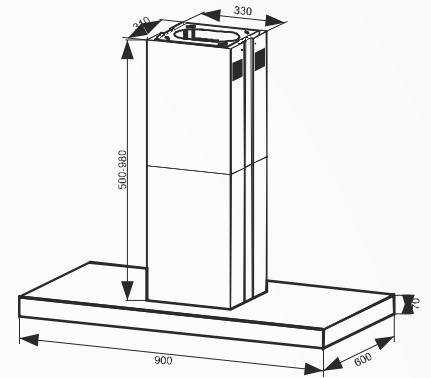
▶ ORLETS



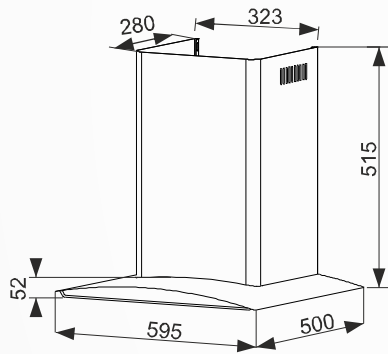
▶ CAPRI



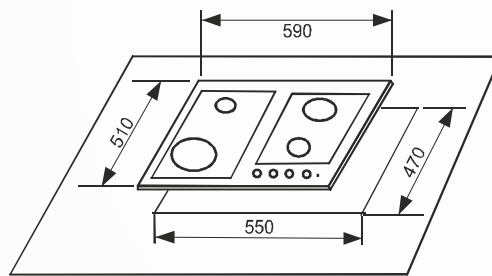
▶ CANARY



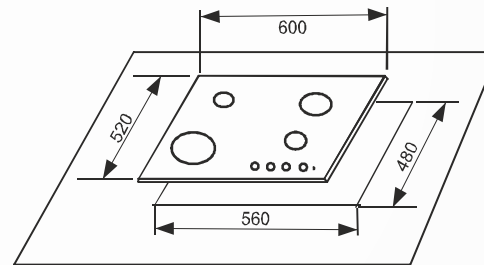
▶ MIR



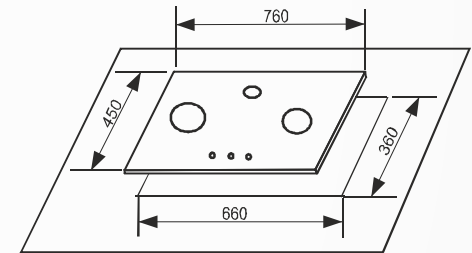
▶ TITAN



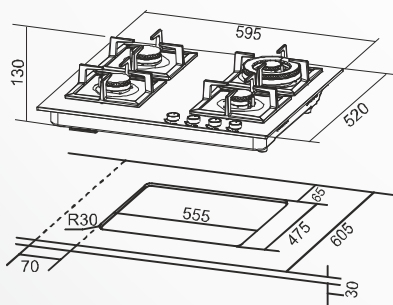
▶ SCOUT



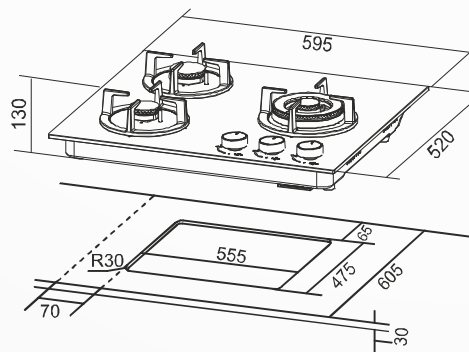
▶ GIATTO



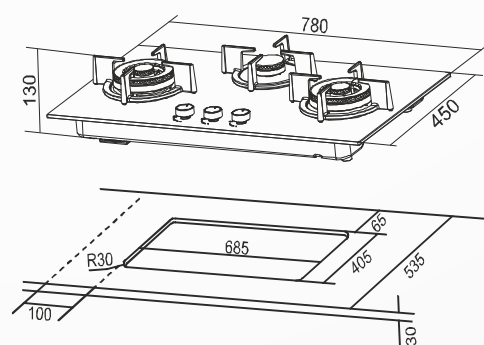
▶ ARIANE-DX



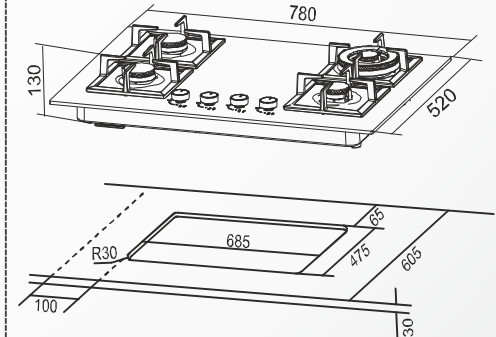
▶ AVRO-DX



▶ AMOS-DX

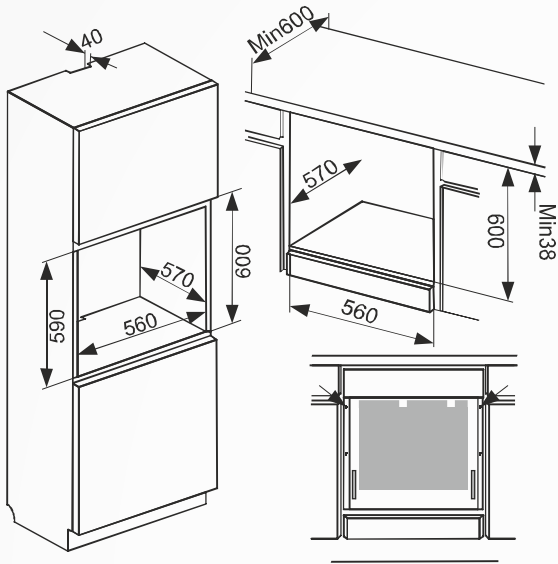


▶ ANTARES-DX

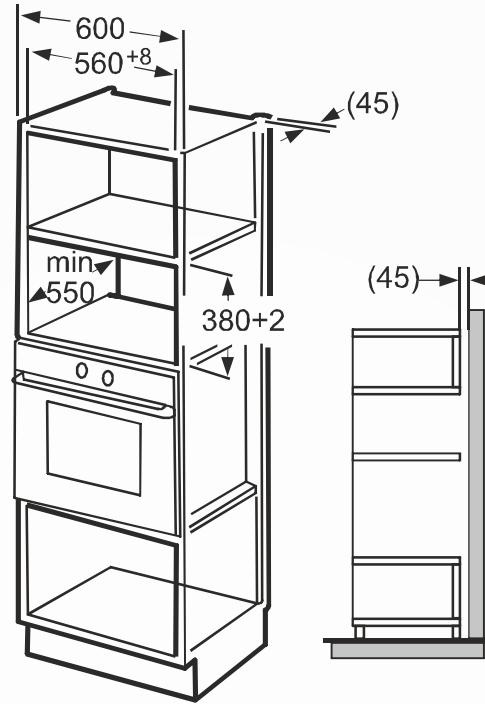


Technical Dimension

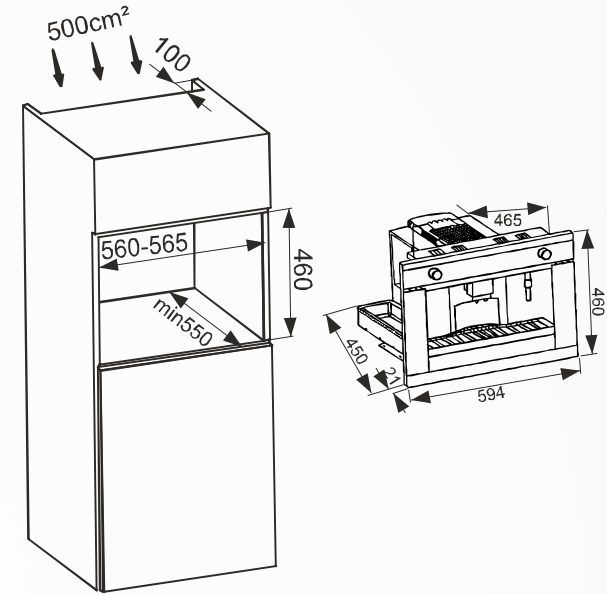
▶ EVAN & DOMINO



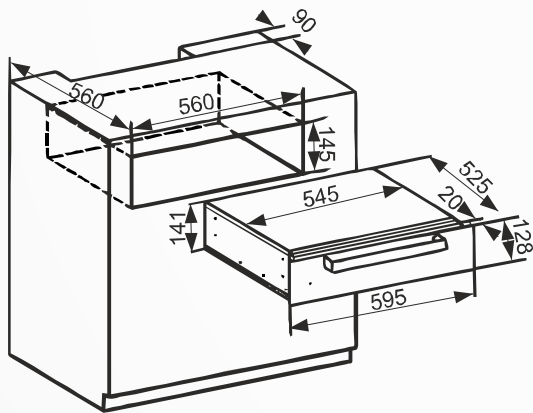
▶ SHE BEE



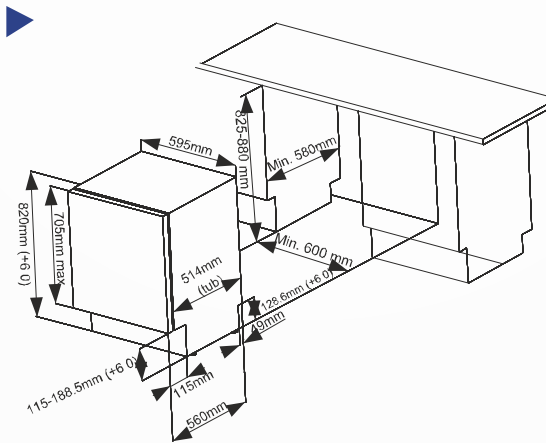
▶ DENVER



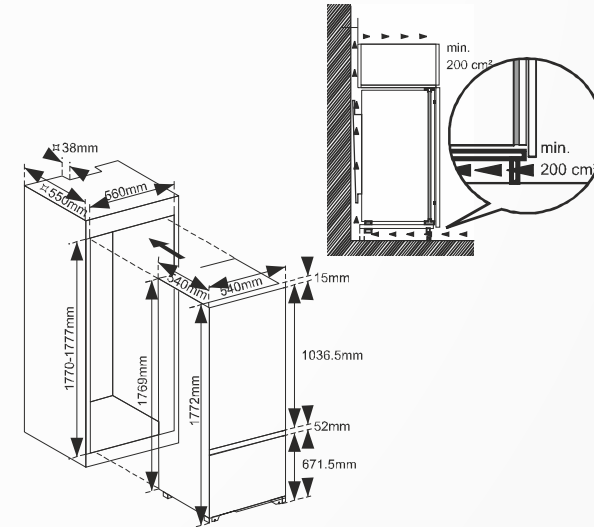
▶ MILANI



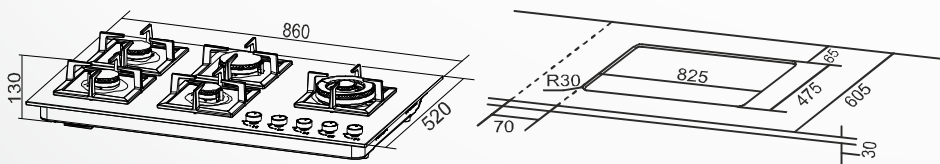
▶ BLUE WAVE



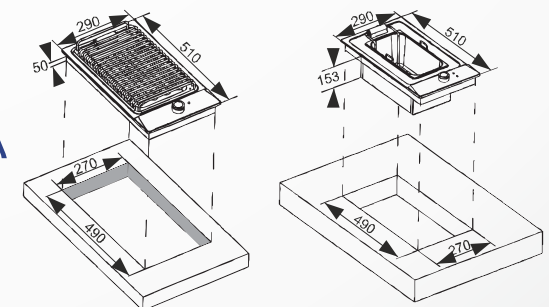
▶ TITLIS



▶ ATHENE-DX



▶ ZETA & VELA



BESTTM

Built-in Appliances

Best Innovative Products LLP

Unit No. 12 & 13, Param Industrial Estate, Naik Pada,

Waliv, Vasai (East) Mumbai-401208

Mobile: 7888040320 Toll : 1800 1200 310

E-mail : sales@bestera.in

www.bestera.in



BESTTM

Built-in Appliances

Best Innovative Products LLP

Unit No. 12 & 13, Param Industrial Estate, Naik Pada,

Waliv, Vasai (East) Mumbai-401208

Mobile: 7888040320 Toll : 1800 1200 310

E-mail : sales@bestera.in

www.bestera.in

